



TWO-PHASES DEIONIZERS

DS 50 - 100 - 200

Technical Sheet



GENERAL

DS Series are **two-phases deionizers**, which are suited for medium/low rates. In the Culligan line, they are the smallest units capable of being regenerated on the site of installation. They are **flexible and versatile** and are often used in the small industry. The distinctive qualities of these lucky series are its simple operation and its strength.

FEATURES

Two programmers ensure automatic operation by controlling the two phases of regeneration and service.

The **DS Series** deionizers are equipped with a quality indicator that will activate either an alarm or set an automatic device to block product water as its quality reaches a preset conductivity level. The

resins containers are made of fibreglass. The internal hydroelectric valve components are made in plastic to guarantee their **resistance and durability**.

OPERATING LIMITS

Salinity (CaCO ₃)	500 ppm
Chlorine (Cl ₂)	max 0,15 ppm
Sulphurated Hydrogen (H ₂ S)	0 ppm
Iron	0,1 ppm
Manganese	0,05 ppm
Turbidity	5 NTU
Color	5 C.U.
Feed Water Temperature	5-45 °C

OPERATING DATA

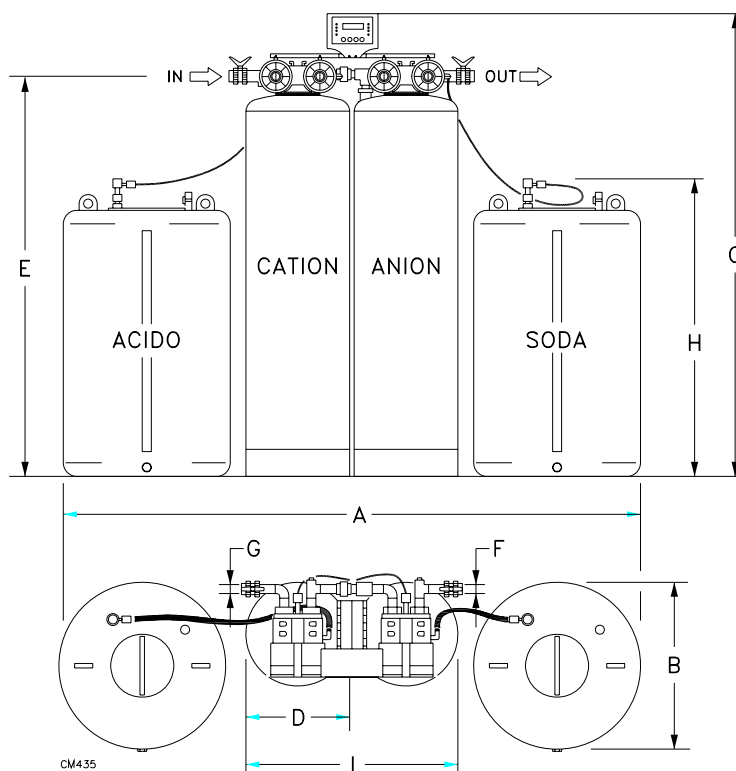
Models	Capacity	Piping		Pressure	Flow Rate		Cation		Regenerant		Anion Resin		Regeneran	
	Ca CO ₃	IN/ OUT	Drain	max	max		Resin Cullex		HCl 33%		Cullex		NaOH 30%	
	kg	ø	mm	bar	gpm	m ³ /h	kg	litres	kg	litres	kg	litres	kg	litres
DS 50	2	1"	15	8	7	1,6	46	56	28	25	36	56	20	15
DS 100	4	1"	15	8	11	2,5	93	112	57	52	72	112	37	28
DS 200	6,5	1"	15	8	15	3,4	151	182	90	80	117	182	62	48

M004-00 - Rev. 04 - 04/2007

REGENERATION FLOW RATES AND DURATION OF THE PHASES

Models	Cation													
	Backwash			Regeneration			Slow Rinse			Suction		Fast Rinse		
	gpm	l/min	min.	gpm	l/min	min.	gpm	l/min	min.	l/min	min.	l/min	min.	
DS 50	4,18	15,8	5	1,6	6	60	0,93	3,5	50	2,5	10	15,8	10	
DS 100	6,38	24	5	2,38	9	60	34	5	47	4	13	24	10	
DS 200	6,38	24	5	2,38	9	65	34	5	45	4	20	24	10	

Models	Anion													
	Backwash			Regeneration			Slow Rinse			Suction		Fast Rinse		
	gpm	l/min	min.	gpm	l/min	min.	gpm	l/min	min.	l/min	min.	l/min	min.	
DS 50	4,2	15,8	5	1,6	6	60	0,93	3,5	54	2,5	6	15,8	15	
DS 100	6,4	24	5	2,38	9	60	1,35	5	53	4	7	24	15	
DS 200	6,4	24	5	2,38	9	65	1,34	5	53	4	12	24	15	



Models	A	B	C*	D	E*	F	G	H	I
DS 50	2400	680	1600	330	1410	1"	1"	1080	1200
DS 100	2450	785	1850	360	1717	1"	1"	1150	1200
DS 200	2450	785	1850	552	1667	1"	1"	1150	1200

* Margin $\pm 2\%$

M004-00 Rev. 04 - 04/2007